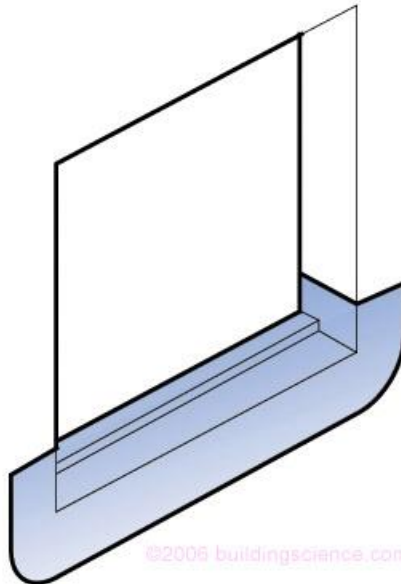


## PAN FLASHING

Pan flashing is a sill flashing and is **required** for all exterior windows and doors. Pan flashing shall be:

1. **sloped to drain water** to the exterior surface of a weather-resistive barrier, **or flat with sealed back dam and side dams** to prevent entry of water into the wall cavity or onto interior finishes.



### Exceptions:

1. Windows or doors installed in accordance with the **manufacturer's installation instructions** which **include** an **alternate pan flashing** method.
2. Windows and doors in **detached, accessory structures**.
3. Skylights, bow, or bay windows.
4. Doors **required to meet accessibility** requirements that would **prevent** the installation of pan flashing.
5. **Repairs or replacement of existing** windows and doors. *This only applies to inserts or replacement of sashes. When the entire window is removed so as to expose the framed opening, pan flashing shall be required.*
6. When an alternate method is provided by a registered design professional.

MN Rules 703.8.1